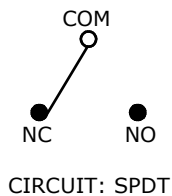
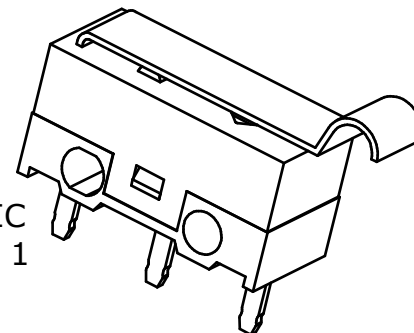
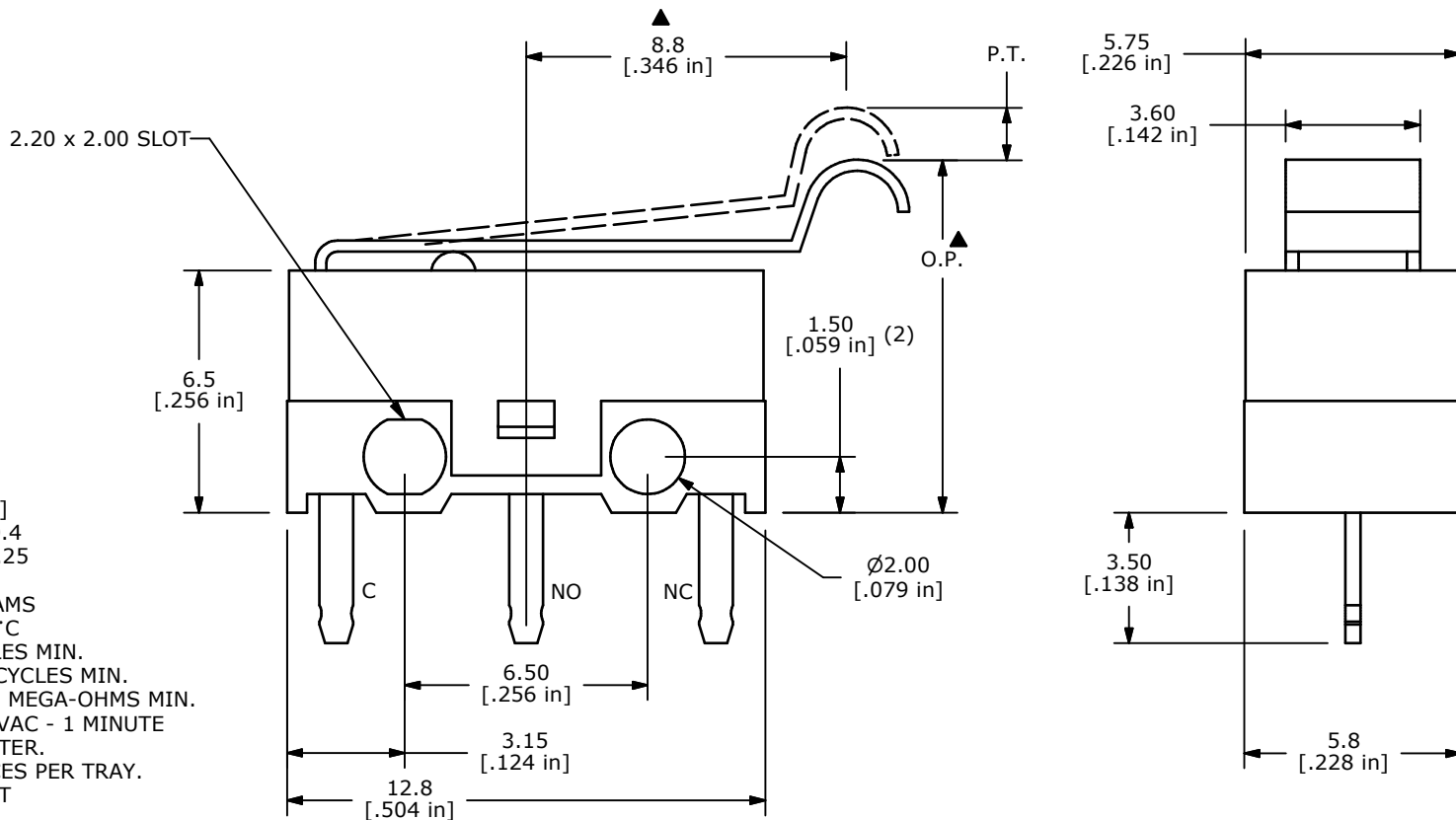


ISOMETRIC  
SCALE 3 : 1



B	
O.P. (MM)	P.T. (MM)
10.8±0.8	2.00 MAX.

O.P. = OPERATING POINT  
P.T. = PRE-TRAVEL



- NOTES:
- ALL DIMENSIONS IN MM [INCH]
  - GENERAL TOLERANCE: X.X±0.4  
X.XX±0.25
  - RATING: 0.1A @125VAC UL
  - OPERATING FORCE: 15 ± 5 GRAMS
  - OPERATING TEMP: -25°C TO 75°C
  - ELECTRICAL LIFE: 10,000 CYCLES MIN.
  - MECHANICAL LIFE: 1,000,000 CYCLES MIN.
  - INSULATION RESISTANCE: 100 MEGA-OHMS MIN.
  - DIELECTRIC STRENGTH: 1,500VAC - 1 MINUTE
  - ▲ DENOTES CRITICAL PARAMETER.
  - PACKAGED IN TRAYS, 120 PIECES PER TRAY.
  - 2002/95/EC (ROHS) COMPLIANT

D	18157	REMOVE CE APPROVED FROM NOTES	6/24/08	BLR
C	18089	NOTE 11 WAS 1000 PIECES PER BAG	5/9/08	RC
B	18038	REVISE O.P., P.T. DIMS	3/25/08	BLR
REV	PCR NO	DESCRIPTION	DATE	BY



TITLE SS075Q102F015P1A

THE INFORMATION CONTAINED IN THIS DOCUMENT IS PROPRIETARY TO E-SWITCH AND IS NOT TO BE COPIED OR TRANSFERRED

SCALE	DATE	DR	DWG	REV
4:1	6/24/2008	BLR	Q971013	D